

LITHIUM IRON PHOSPHATE BATTERY

MEET THE AZBAT12005BE

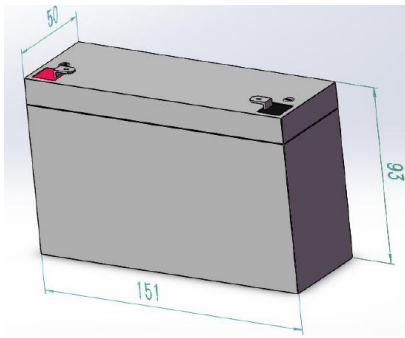
LiFePO₄ cells have revolutionized the potential and lifecycle cost of operating battery-based power systems. Ideally suited for use in alarms, gate motors or any lead acid battery replacement

INFO@AZOTEQ.COM



| | |
|------------------------------|---|
| Model | AZBAT12005BE |
| Battery type | Lithium Iron Phosphate (LiFePO ₄) |
| Nominal voltage | 12.8V |
| Capacity | 70.4Wh |
| Cycle life @ 100% DoD | >1 500 |
| Dimensions | 50mm (W) x 151mm (L) x 93mm (H) |
| Weight | 0.7kg |

 **Azoteq**



- > 12.8V; 5.5Ah Lithium Iron Phosphate
- > Durable plastic casing
- > Internal battery management system
- > Built-in protection
- > Lead acid battery replacement

GENERAL

| | |
|--------------------------------|-----------------------------------|
| Model | AZBAT12005BE |
| Battery Type | LiFePO4 |
| Nominal Voltage | 12.8V |
| Nominal Current | 5.5Ah |
| Nominal Capacity | 70.4Wh |
| Operating Voltage Range | 8.8V – 14.6V |
| Cycle life @ 100% DoD* | >1 500 cycles (70.4Wh @ C2; 25°C) |
| Cycle life @ 80% DoD* | >2 000 cycles (56.3Wh @ C2; 25°C) |
| Operating Temperature | 0°C to 45°C |
| Dimensions [mm] | 50(W) x 151(L) x 93(H) |
| Weight | 0.7kg |
| IP Rating | 54 |
| Storage conditions | 0°C to 45°C (less than 6 months) |

CHARGE AND DISCHARGE

| | |
|---------------------------|----------------|
| Charge voltage | 14.6V |
| Float Voltage | 13.6V |
| Standard Charge | 1.1A (0.2C) |
| Standard Discharge | ≤2.75A (0.5C) |
| Maximum Charge | 2.75A (0.5C) |
| Maximum Discharge | 5.5A (1C) |
| Self Discharge | < 3% per month |

BMS

| | |
|-------------------|--|
| Protection | Short circuit (automatic reset after disconnecting the load) Over current (20A) with automatic recovery Under voltage (8.8V) |
|-------------------|--|

IMPORTANT

| | |
|--------------------------|---|
| Charging | Suggested charging temperature 15-40°C to optimise battery life |
| Long term storage | SOC > 30% |
| Series connection | Do not use more than 2 batteries in series |

* Estimated cycles @ 25°C
Refer to warranty conditions document.