

LITHIUM IRON PHOSPHATE BATTERY

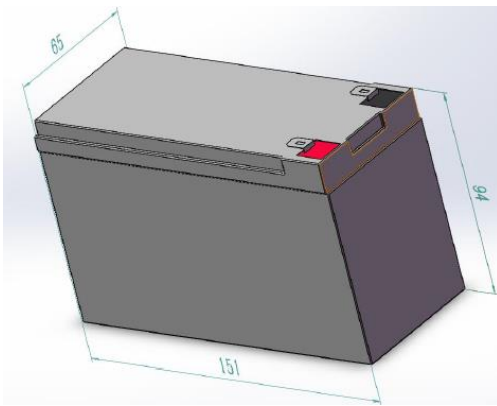
MEET THE AZBAT12011BE

LiFePO₄ cells have revolutionized the potential and lifecycle cost of operating battery-based power systems. Ideally suited for use in alarms, gate motors or any lead acid battery replacement

INFO@AZOTEQ.COM



Model	AZBAT12011BE
Battery type	Lithium Iron Phosphate (LiFePO ₄)
Nominal voltage	12.8V
Capacity	140,8Wh
Cycle life @ 100% DoD	>1 500
Dimensions	65mm (W) x 151mm (L) x 94mm (H)
Weight	1.2kg



- > 12.8V; 11Ah Lithium Iron Phosphate
- > Durable plastic casing
- > Internal battery management system
- > Built-in protection
- > Lead acid battery replacement

GENERAL

Model	AZBAT12011BE
Battery Type	LiFePO4
Nominal Voltage	12.8V
Nominal Current	11Ah
Nominal Capacity	140.8Wh
Operating Voltage Range	8.8V – 14.6V
Cycle life @ 100% DoD*	>1 500 cycles (140.8Wh @ C2; 25°C)
Cycle life @ 80% DoD*	>2 000 cycles (112.6Wh @ C2; 25°C)
Operating Temperature	0°C to 45°C
Dimensions [mm]	65(W) x 151(L) x 94(H)
Weight	1.2kg
IP Rating	54
Storage conditions	0°C to 45°C (less than 6 months)

CHARGE AND DISCHARGE

Charge voltage	14.6V
Float Voltage	13.6V
Standard Charge	2.2A (0.2C)
Standard Discharge	≤5.5A (0.5C)
Maximum Charge	5.5A (0.5C)
Maximum Discharge	11A (1C)
Self Discharge	< 3% per month

BMS

Protection	Short circuit (automatic reset after disconnecting the load) Over current (35A) with automatic recovery Under voltage (8.8V)
-------------------	--

IMPORTANT

Charging	Suggested charging temperature 15-40°C to optimise battery life
Long term storage	SOC > 30%
Series connection	Do not use more than 2 batteries in series

* Estimated cycles @ 25°C
Refer to warranty conditions document.